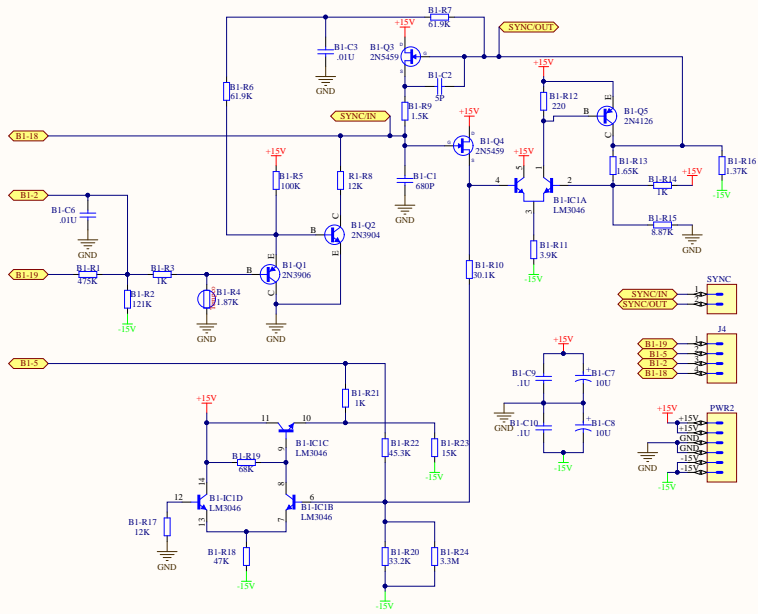
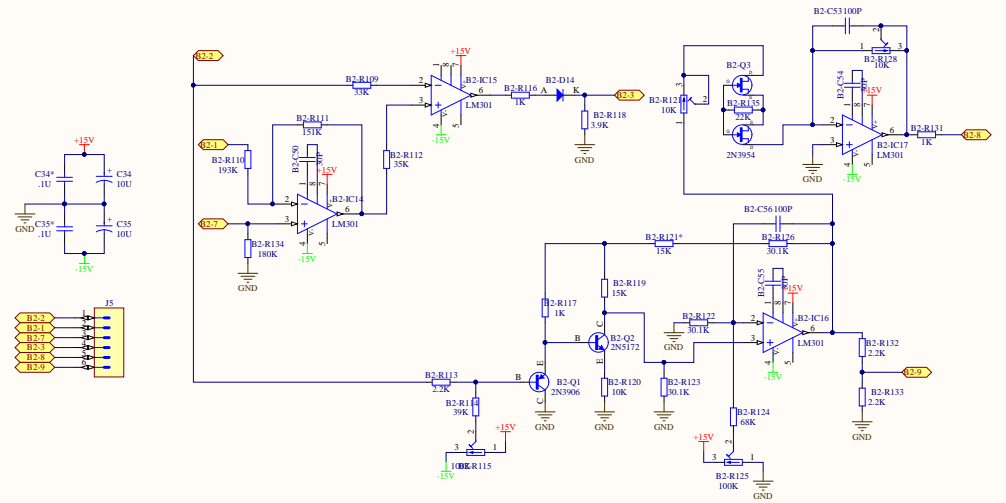


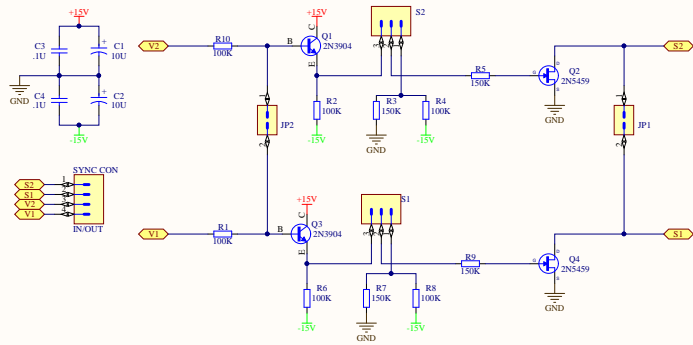
VCO1 4027-1 (B1) BOARD



VCO1 WAVEFORMS (B2) BOARD



SYNC CIRCUIT



Title		
Size	Number	Revision
A2		
Date:	28.09.2017	Sheet of
File:	C:\Users\...Board2.SchDoc	Drawn By: