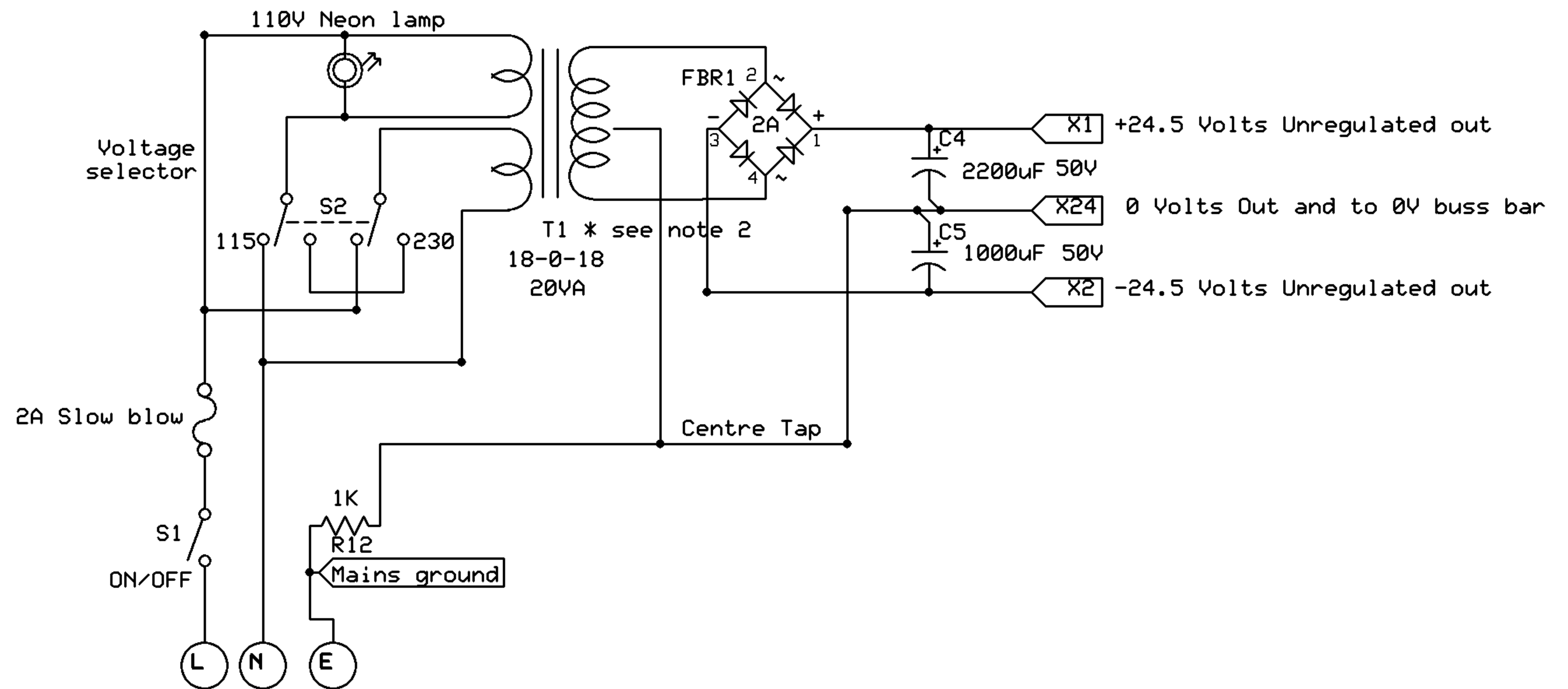


UN-REGULATED POWER SUPPLY



NOTES:

1. Transformer, rectifier, capacitors, power transistors : CHASSIS MOUNTED
2. Transformer on Deodar Synth is 17-0-17, 15-0-15 or 18-0-18 can be used with no known issues

Sage Music Electronics

Mains Rectified D.C. output

Derek G Revell

Rev 1.2

25/11/2013

Page 1 OF 4